



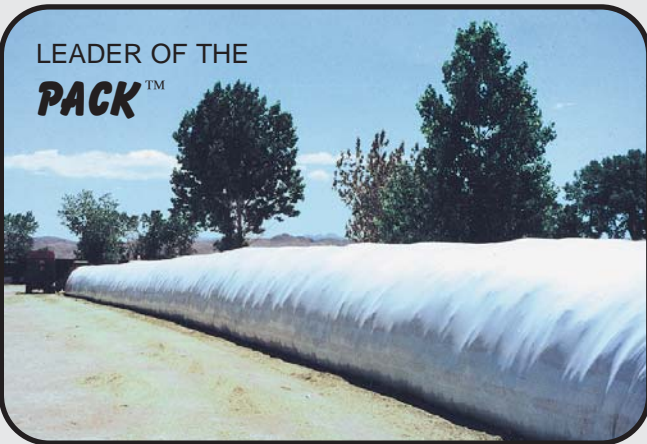
MODEL ID891

HEAVY DUTY
FORAGE BAGGING

with

Internal Density™

Bagging Technology



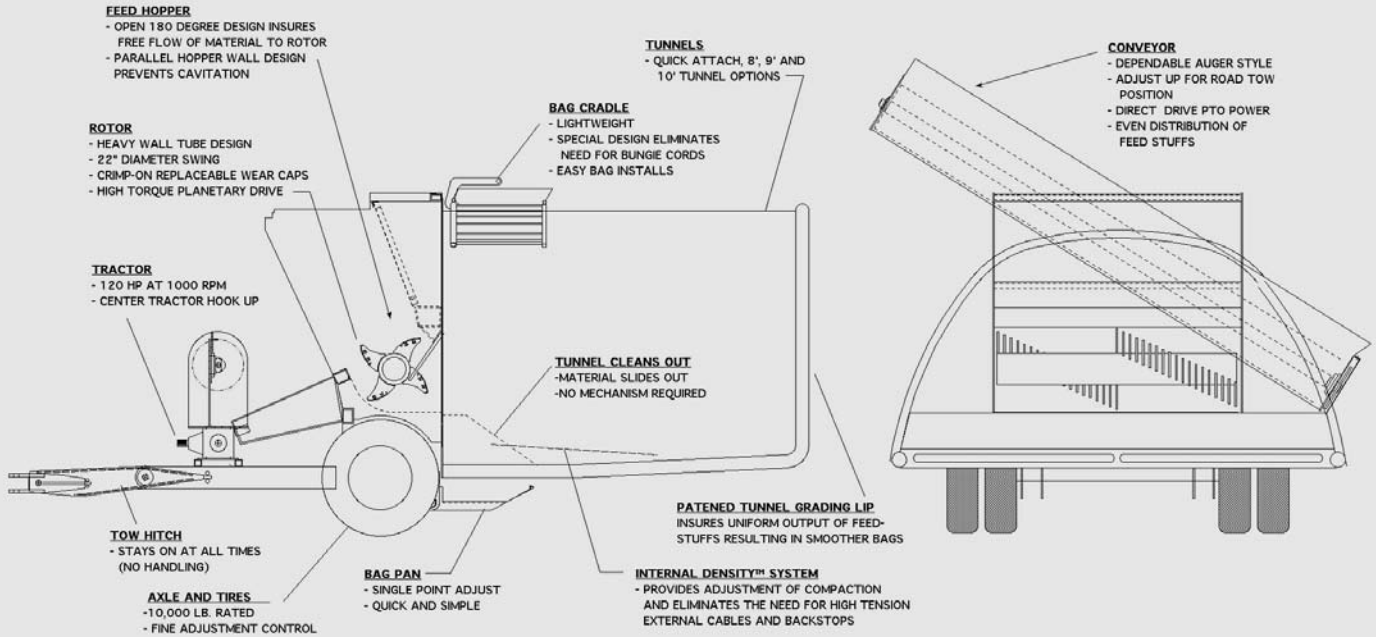
- ☞the safest and easiest machine to operate.
- ☞smoother packed bags in all feedstuffs.
- ☞less space between bags more tons per storage area.
- ☞any bag length not limited by cables.
- ☞multiple quick attach tunnel choices.
- ☞machine set up is faster than other baggers.
- ☞no wheels to turn or sides to fold up.
- ☞no backstops to handle or cables to wind-up.



VERSA corp

1-800-837-7288

MODEL ID 891



Machine Width.....	11'-11"
Length.....	17'
Height (maximum).....	10'-4"
Wheel Base.....	97"
Weight.....	(approx.) 8300 Lbs.
PTO Requirements (Hp).....	60 Hp @ 540 RPM \120 Hp @ 1000 RPM
Final Drive.....	Planetary
Rotor (double spiral).....	22" Swing
Grill Bars.....	Bolt on Replaceable
Rotor (wear caps).....	66 Crimp-On
Brakes.....	12.25 x 3.38 Truck Type
Tires.....	(4) 7.5 x 15 - 14 Ply
Feed Conveyor.....	(2) 12" Augers
Feed Conveyor Drive.....	Direct PTO Powered
Tunnels.....	8', 9', 10' Optional

Specifications subject to change without notice

MANUFACTURED UNDER ONE OR MORE OF THE FOLLOWING PATENTS, OTHER PATENTS PENDING.

US 5,295,554 ₁	US 5,367,860 ₁	US 5,421,142 ₁	US 5,517,806 ₁	US 5,857,313 ₁
US 5,297,377 ₁	US 5,396,753 ₁	US 5,425,220 ₁	US 5,671,594 ₁	US 5,894,713 ₁
US 5,464,049 ₁	US 5,398,736 ₁	US 5,426,910 ₁	US 5,775,069 ₁	US 5,899,247 ₁
US 5,345,744 ₁	US 5,408,809 ₁	US 5,452,562 ₁	US 5,784,865 ₁	US 5,960,612 ₁
US 5,355,659	US 5,408,810	US 5,463,849	US 5,799,472	US 6,009,692

